

# Berly Electronics Co., Ltd

Website: <http://www.blledlight.com>

Email: [sales@blledlight.com](mailto:sales@blledlight.com) [admin@blledlight.com](mailto:admin@blledlight.com)

## PRODUCT SPECIFICATIONS

### LED AMPLIFIER

(LD-AM-24-X)

Made by	Checked by	Version
Musitafa	Nautica Huang	2009.2.4

CE



ROHS



# LED Amplifier Introduction

## Features :

Working temperature:  $-20^{\circ}\text{C}\sim 60^{\circ}\text{C}$

Working voltage: DC24V

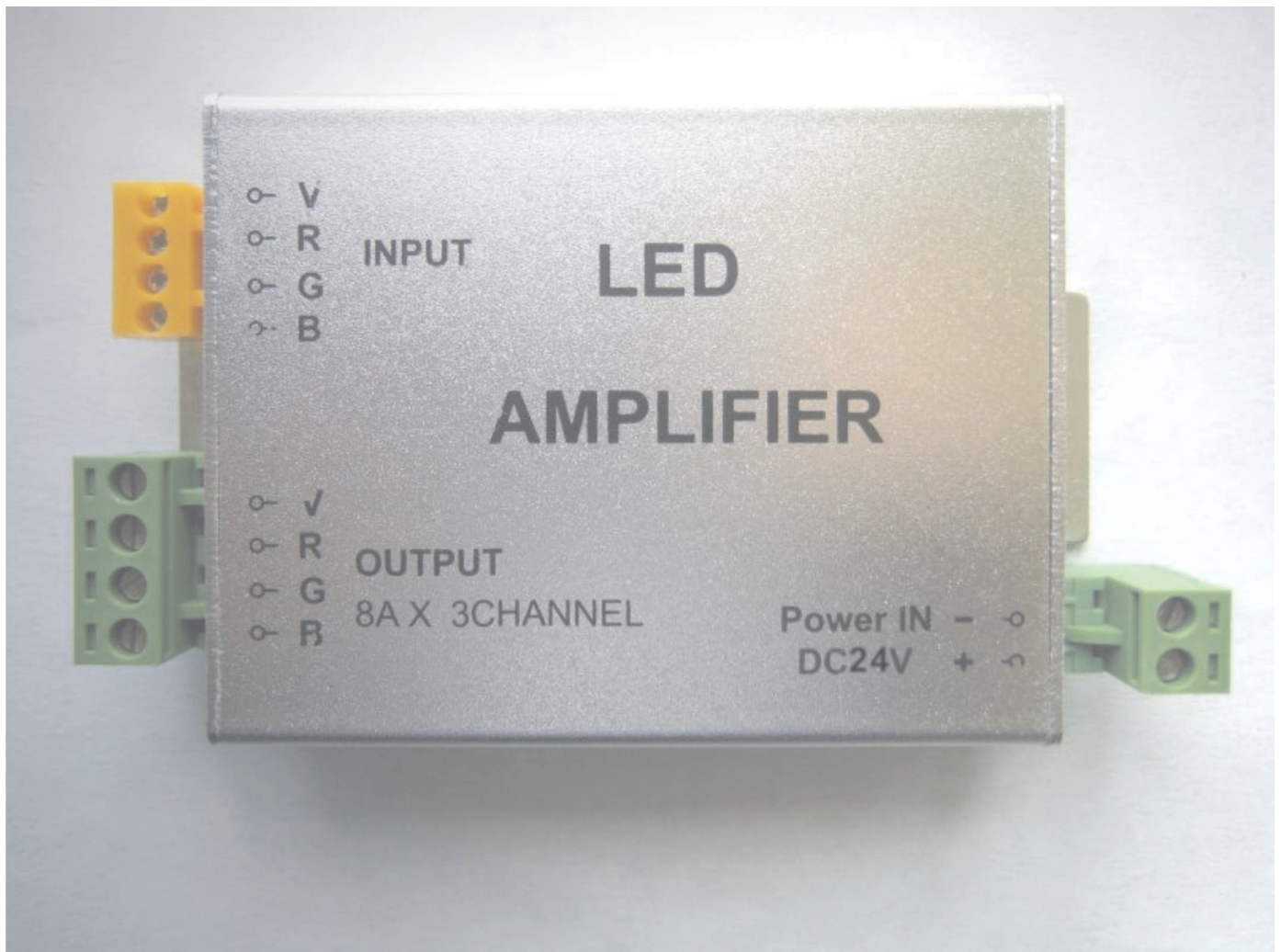
Measurement:  $107*65*24$

Aluminum alloy frame, it is not easy to damage.

Rated load current:  $8\text{A} * 3\text{CHANNEL}$

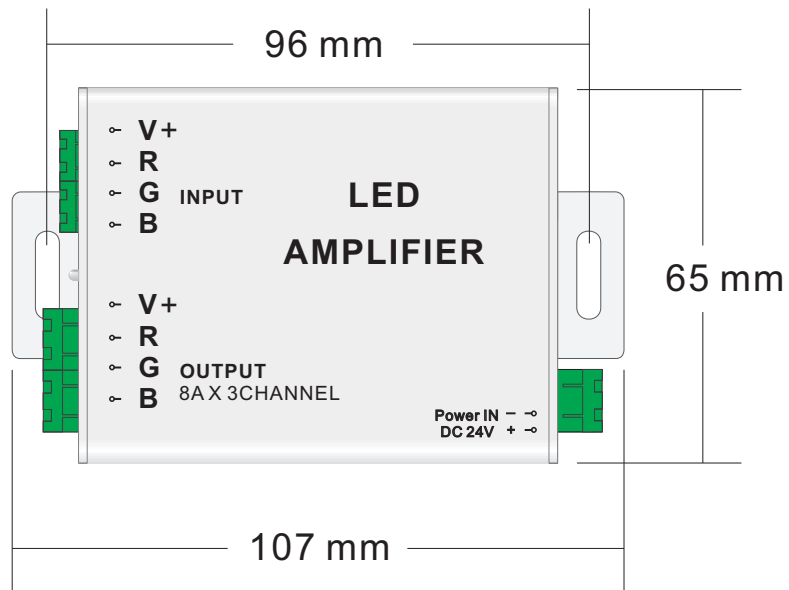
Rated current:  $8\text{A}$

## Applications :

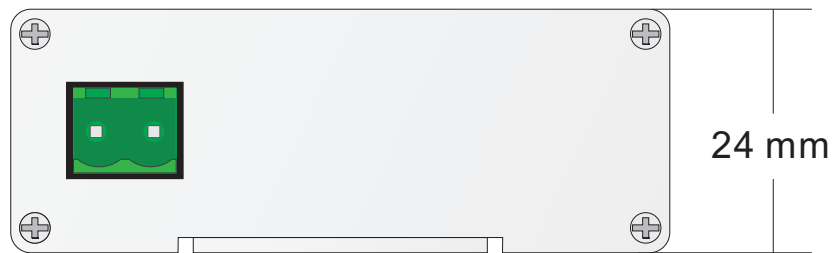


# Assembly drawing (AMPLIFIER)

## Top View



## Section

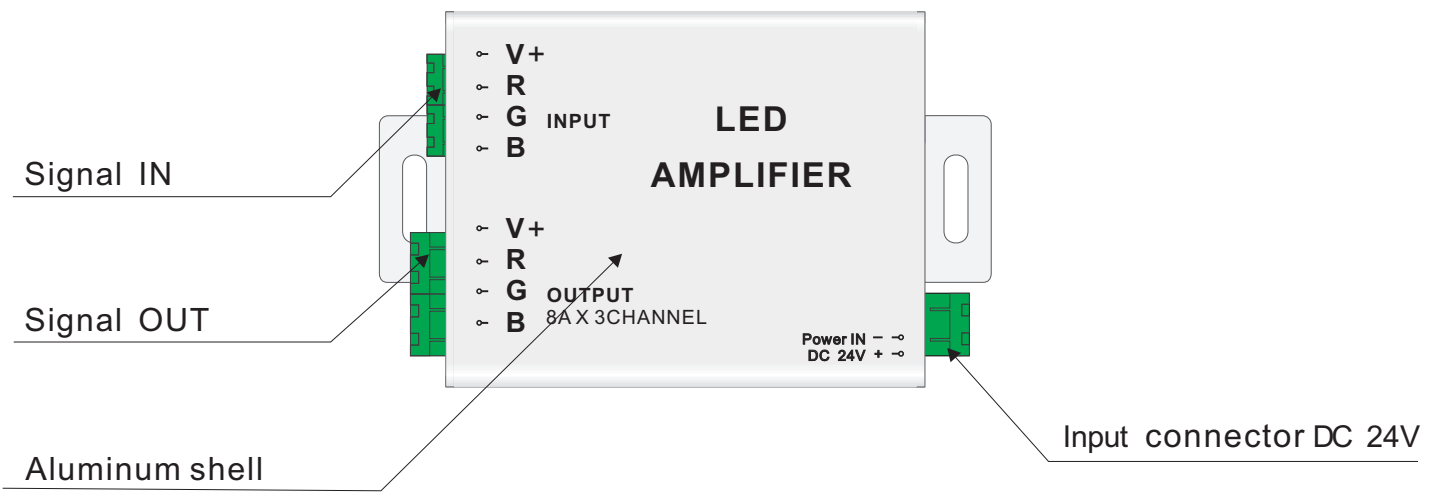


## 3D View



**Operation Temperature: -20°C ~ 60°C**  
**Store Temperature: -30°C ~ 80°C**

# LED Amplifier

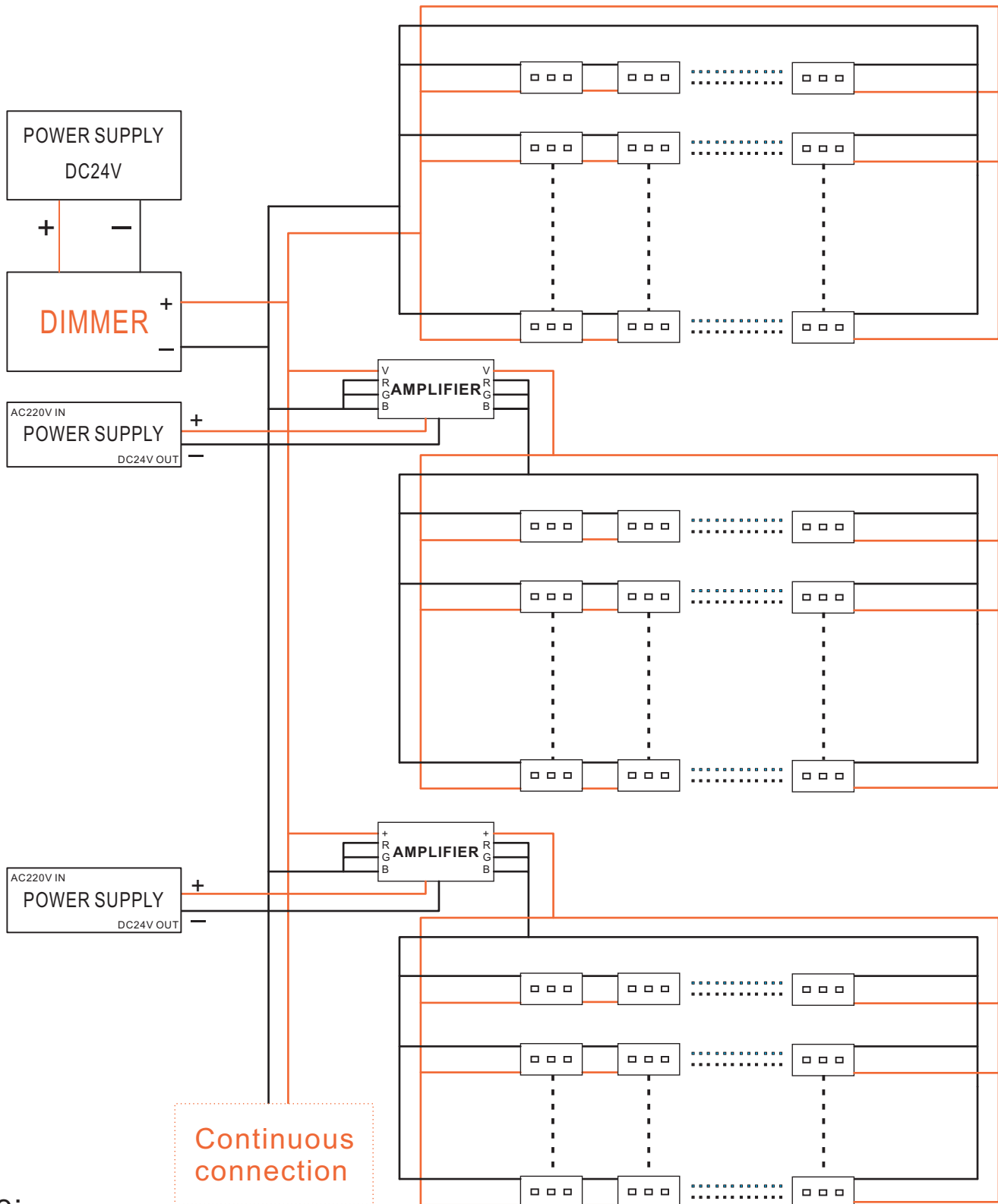


## Note:

1. Make sure that the power supply should be DC 24 with enough power for object;
2. With a max current 8A X 3CHANNEL, make sure that object current should be less than 24A;

# How to connect Amplifier & Dimmer

Below shows you how to connect the amplifiers and Dimmer to power supplies.



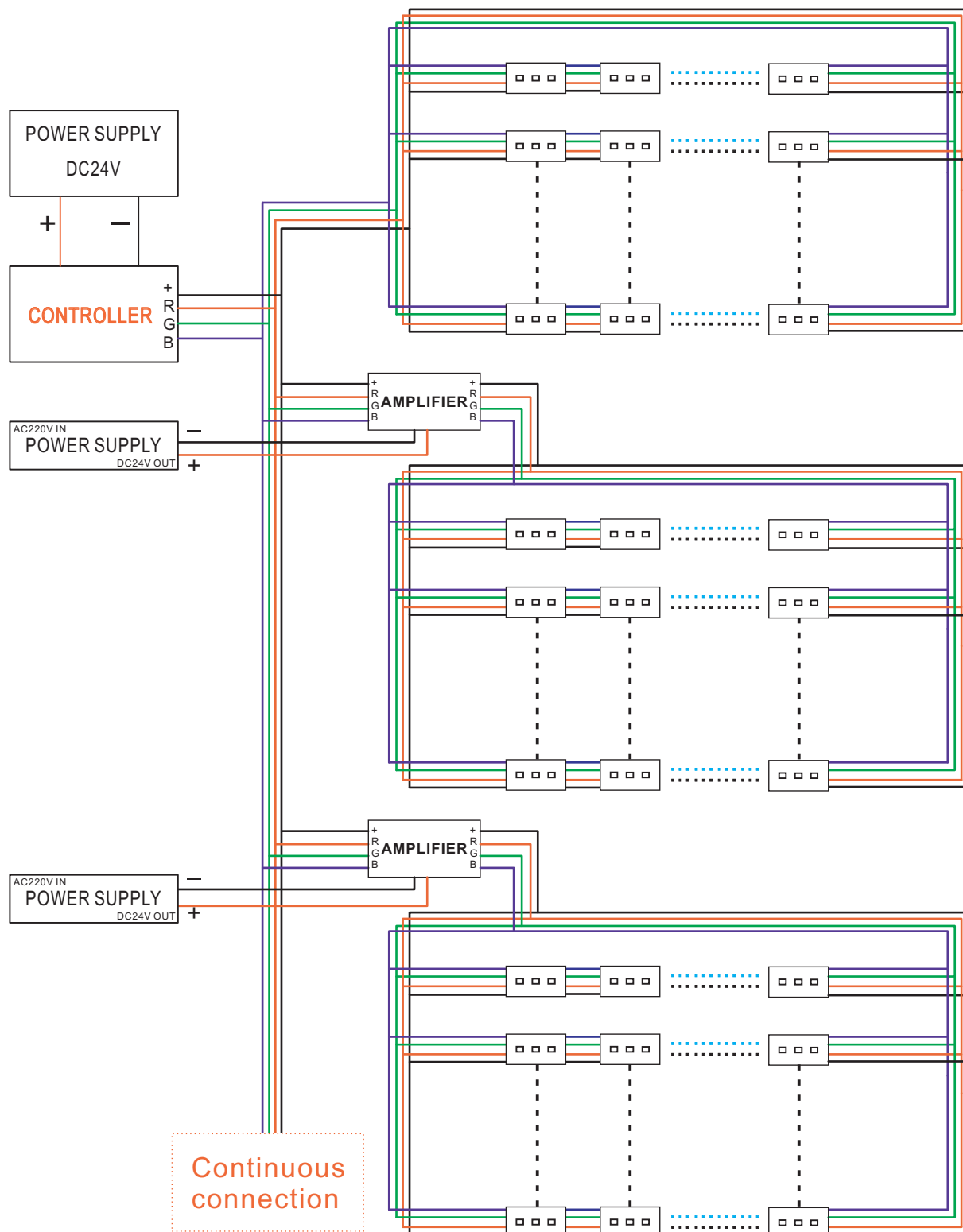
Continuous connection

## Note:

- 1、 This kind of connection works only to the single color products, such as single color flexible strip, single color Module, single color Rigid bars.
- 2、 If the LED products' Power is more than the LED dimmer, we suggest you to use Amplifiers . Before the installation, please check the working Voltage and powers of the LED products ,the LED dimmers, Amplifiers. (Make sure the LED products , the Amplifiers ,dimmer and Controller's working voltage are the same DC 12V or the same DC 24V.)
- 3、 The connection of the Amplifier and Dimmer refers to the Fig. The RGB terminals of the Amplifier should be connected to the Negative .
- 4、 The length of wires between the dimmer and amplifier should not be more than 100 meter.

# How to connect Amplifier & Controller

Below shows you how to connect the amplifier and controller to power supplies.



Continuous connection

## Note:

- 1、 This kind of connection works to the RGB LED products, such as LED flexible strips, LED Modules, LED Rigid Bars and so on.
- 2、 If the LED products' Power is more than the LED controller's load, we suggest you to use Amplifiers . Before the installation, please check the working Voltage and powers of the LED products ,the LED controller, Amplifiers . (Make sure the LED products , the Amplifiers ,dimmer and Controller's working voltage are the same DC 12V or the same DC 24V, and make sure the power of the LED products are less that the controller and Amplifiers' power load.)
- 3、 The connection refers to the Fig.
- 4、 The length of wires between the controller and amplifiers should not be more than 100 meter.