

Berly Electronics Co., Ltd

Website: <http://www.blledlight.com>

Email: sales@blledlight.com admin@blledlight.com

PRODUCTS SPECIFICATION

LED MANUAL DIMMER

(LD-DI-12-M)

Made by	Checked by	Version
Musitafa	Nautica Huang	2009.2.4



Manual Dimmer introduction

Features :

Working temperature: $-20-60^{\circ}\text{C}$

Working voltage:DC12V

Measurement:112*65*24mm

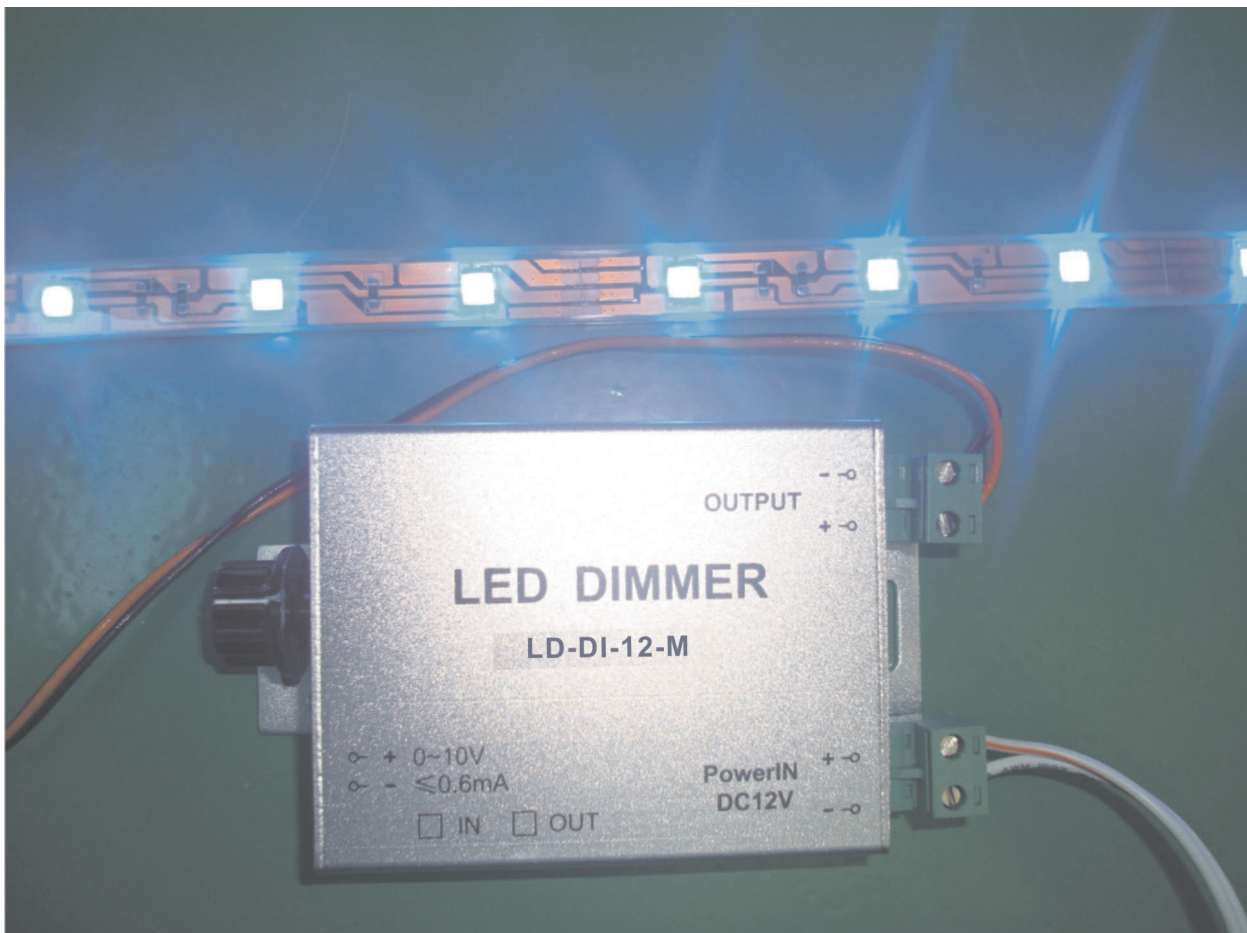
Compact size, fast connectores,

Aluminum alloy frame, it is not easy to be damage.

maximum up to 18A current output;

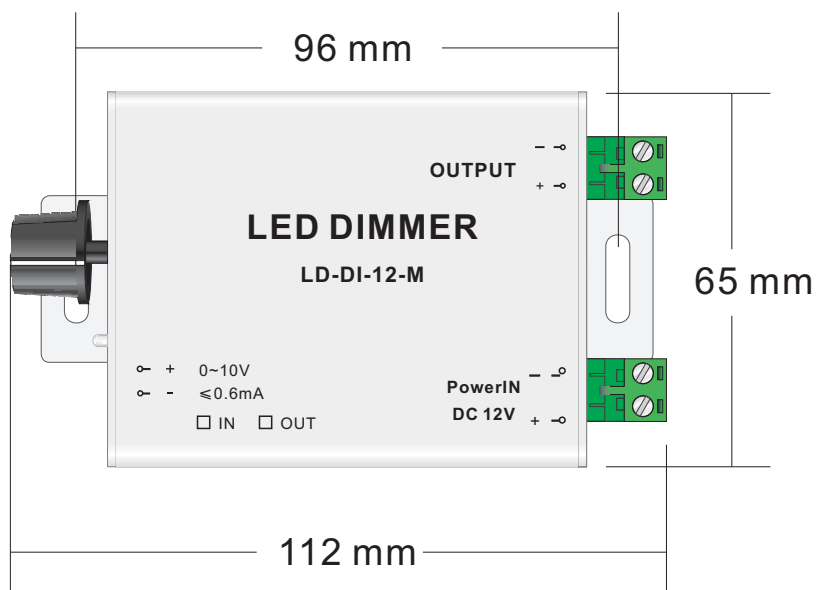
Photos:

Use hand twist to the knob to control the brightness,

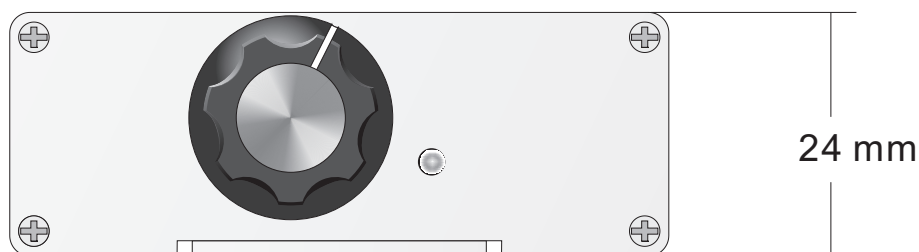


Assembly drawing

Top View



Section

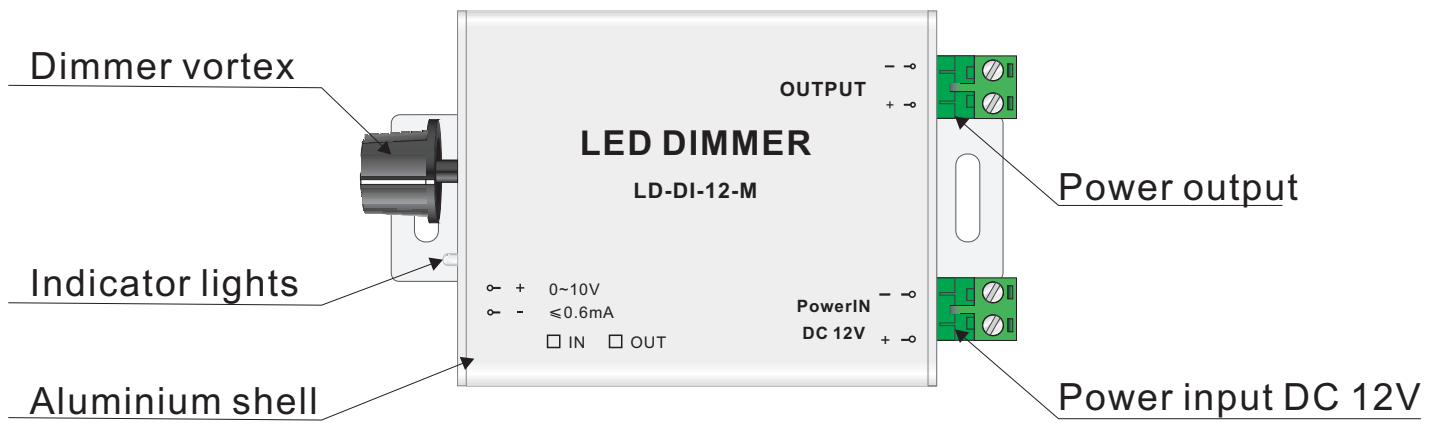


3D View



Operation Temperature: $-20^{\circ}\text{C} \sim 60^{\circ}\text{C}$
Store Temperature: $-30^{\circ}\text{C} \sim 80^{\circ}\text{C}$

LED Manual Dimmer

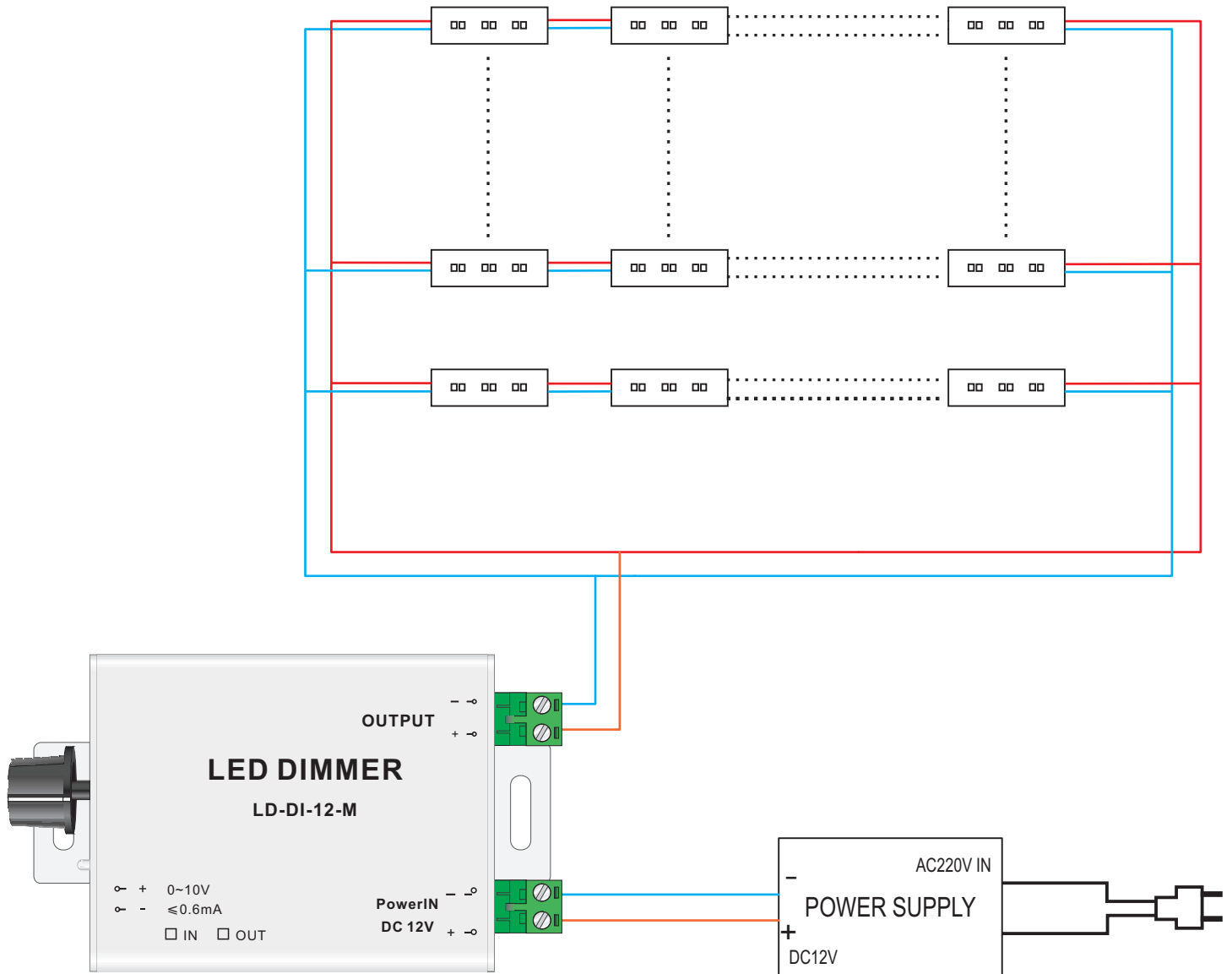


Note:

1. Make sure that the power supply should be DC 12 with enough power for object;
2. With a max current 18A, make sure that object current should be less than 18A;

How to connect Dimmer

Below shows you how to connect the Dimmer to power supplies.



Note:

- 1、 This kind of connection works only to the single color products, such as single color flexible strip, single color Module, single color Rigid bars.
- 2、 If the LED products' Power is more than the LED dimmer, we suggest you to use Amplifiers . Before the installation, please check the working Voltage and powers of the LED products ,the LED dimmers, Amplifiers .(Make sure the LED products , the Amplifiers ,dimmer and Controller's working voltage are the same DC 12V or the same DC 24V.)
- 3、 The connection of the Amplifier and Dimmer refers to the Fig. The RGB terminals of the Amplifier should be connected to the Negative .(Details of amplifier specifications)