

PRODUCT SPECIFICATION

Customer : _____

Product Name: _____

Part NO : _____

Sample order NO: _____

CE ROHS



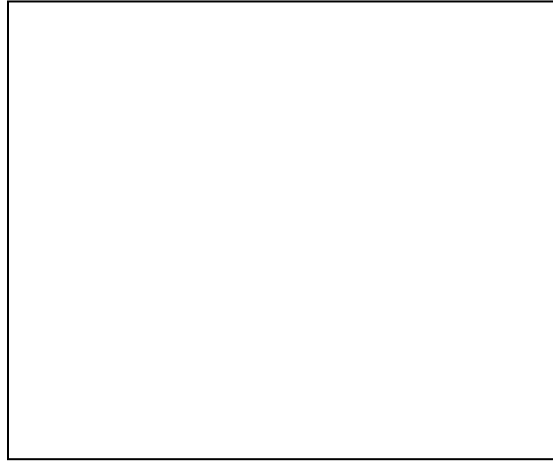
ATTENTION
 OBSERVE PRECAUTIONS
 FOR HANDLING
 ELECTROSTATIC
 DISCHARGE
 SENSITIVE
 DEVICES

Supplier		Customer	
Made by	Confirmed by		
Date:		Date:	

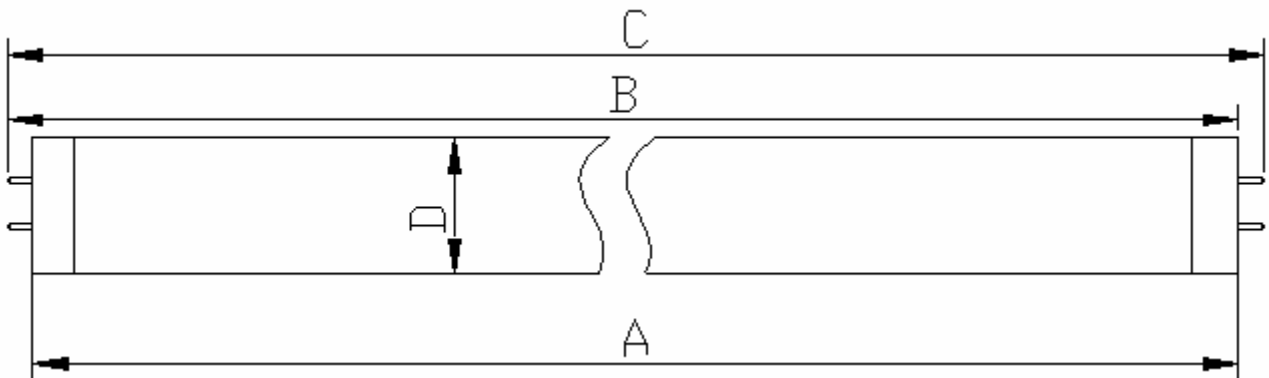
BERLY ELECTRONICS CO., LTD

* Picture

Part NO.: KS-T815P18S2



* Dimension:



T8Φ26

Dimension (mm)			
D(MAX)	A(MAX)	B(MAX)	C(MAX)
26.2	589.8	594	604
26.2	890	897	904
26.2	1199	1207	1213
26.2	1500	1510	1514

E-mail: sales@blledlight.com

Skype: nauticahuang

MSN: a84817887@hotmail.com

Attn: Nautica Huang

Office Address: 3/F, 7 Street, Beili District, Panyu Area, Guangzhou, Guangdong, China

BERLY ELECTRONICS CO., LTD

* Operating Enviroment:

Item	Requirement	Unit
Operating Voltage	AC110/AC220	V
Operating Frequency	50/60	HZ
Operating Temperature	-20~+60	°C
Storage Temperature	-20~+80	°C
Storage Humidity	< 90	%
Antisepsis Degree	F1(Alkaline Cultures Forbid)	

*Test Contents

(Ta= 26°C)

Item	symbol	Min	Typ	Max	Unit
Input Voltage	V _{in}		220/110	-	V
Input Current	I	88		98	mA
Frequency	F	50		60	HZ
Power	P	17	18	19	W
Power Factory	PF	0.85	-	0.95	/
LED Current	I	16	-	20	mA
Color Temperature	TC/λ	3200		6500	K/nm
Luminous Flux	Φ	1850		2050	LM
Light Effect		87	94.84	112	LM/W

E-mail: sales@biledlight.com

Skype: nauticahuang

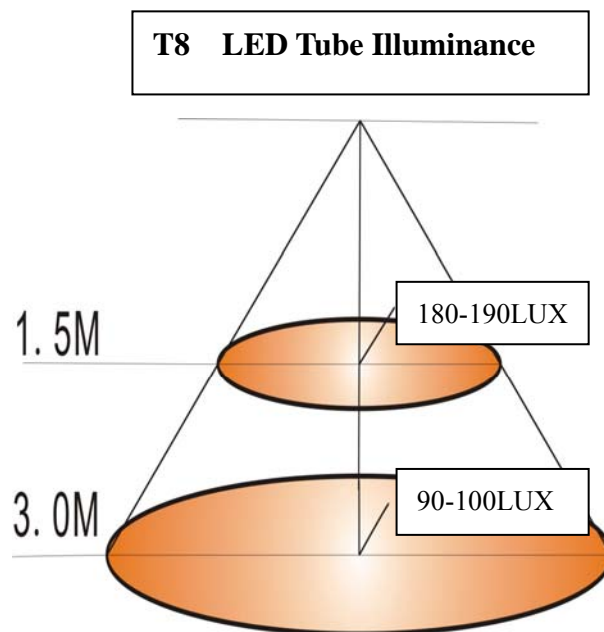
MSN: a84817887@hotmail.com

Attn: Nautica Huang

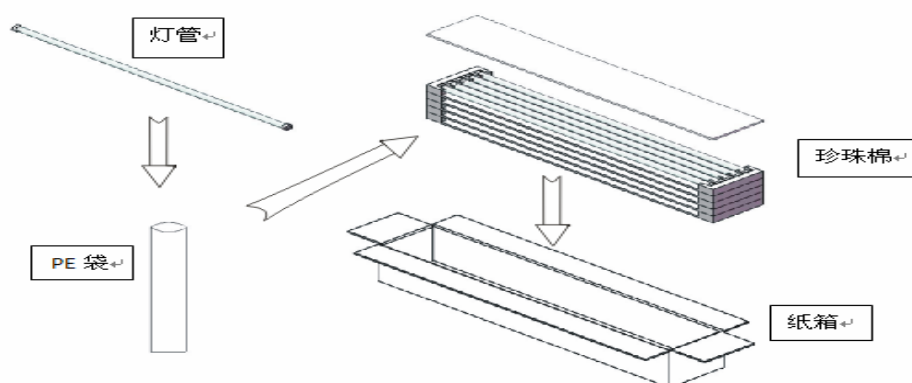
Office Address: 3/F, 7 Street, Beili District, Panyu Area, Guangzhou, Guangdong, China

BERLY ELECTRONICS CO., LTD

* Illuminance Test



* Paking:



Item	Amount	Unit
Net weight	320	g
Gross weight	9.5	Kg
Carton box	1570*220*220	mm
Out packing(25pcs)	1570*220*220	mm

E-mail: sales@bllight.com

Skype: nauticahuang

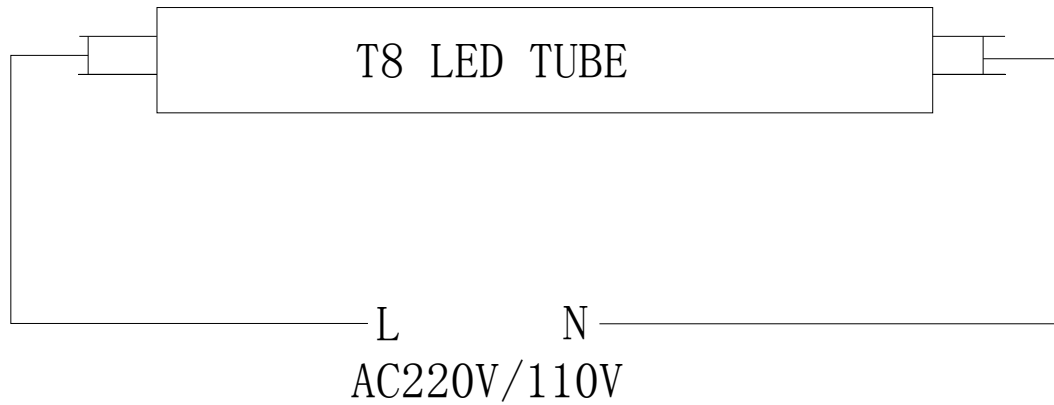
MSN: a84817887@hotmail.com

Attn: Nautica Huang

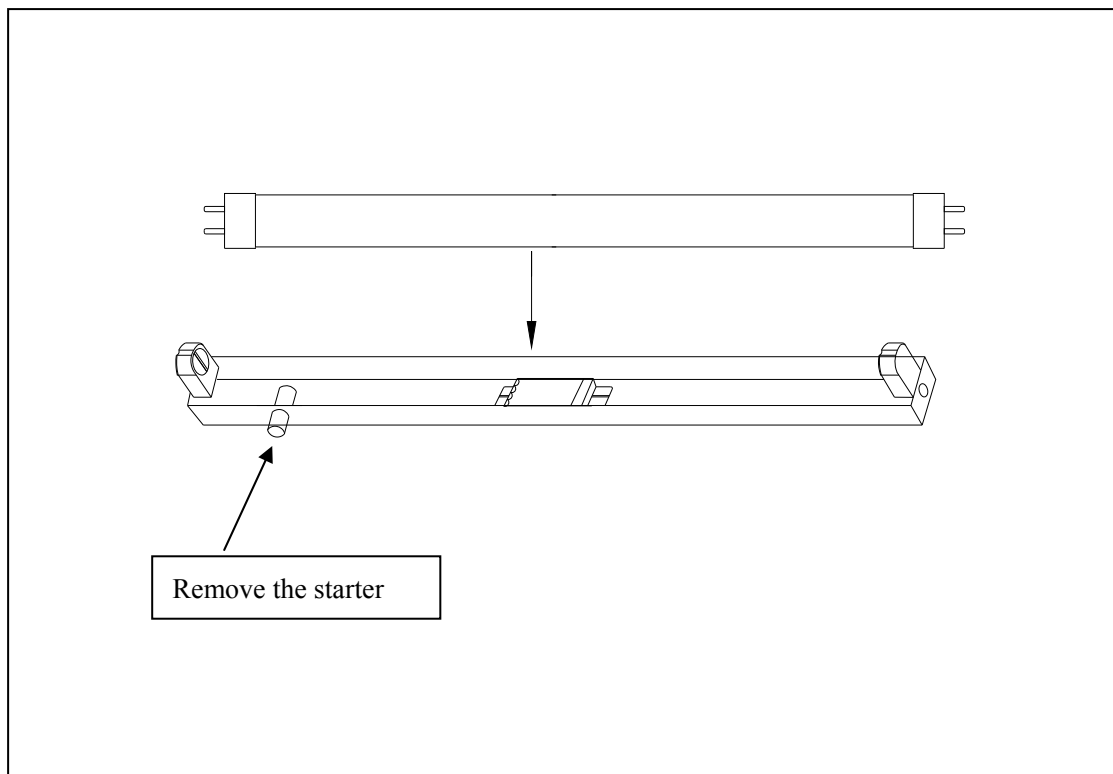
Office Address: 3/F, 7 Street, Beili District, Panyu Area, Guangzhou, Guangdong, China

BERLY ELECTRONICS CO., LTD

* Direction For Use



1. Fitting with Starter



Install LED tube directly after removing the starter.

E-mail: sales@blledlight.com

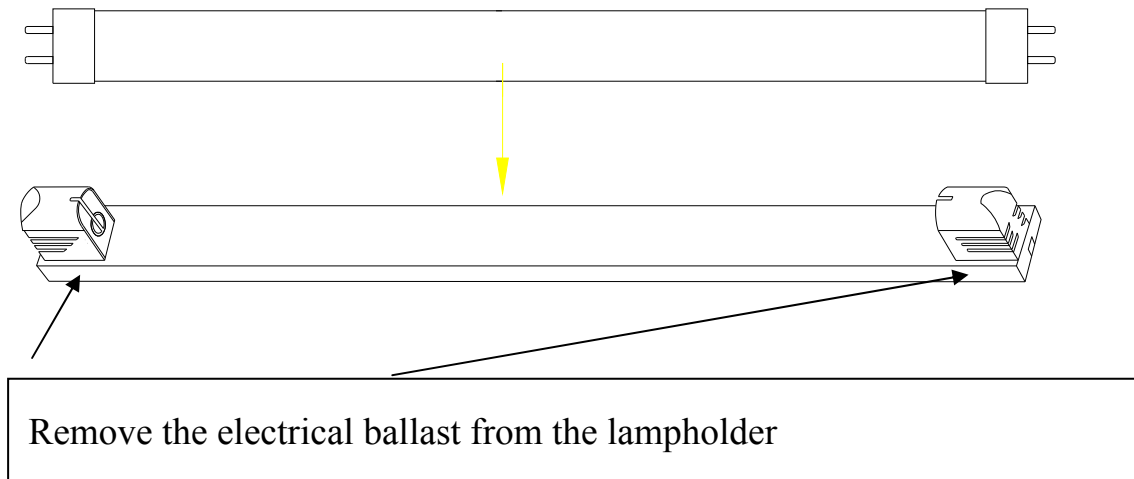
Skype: nauticahuang

MSN: a84817887@hotmail.com

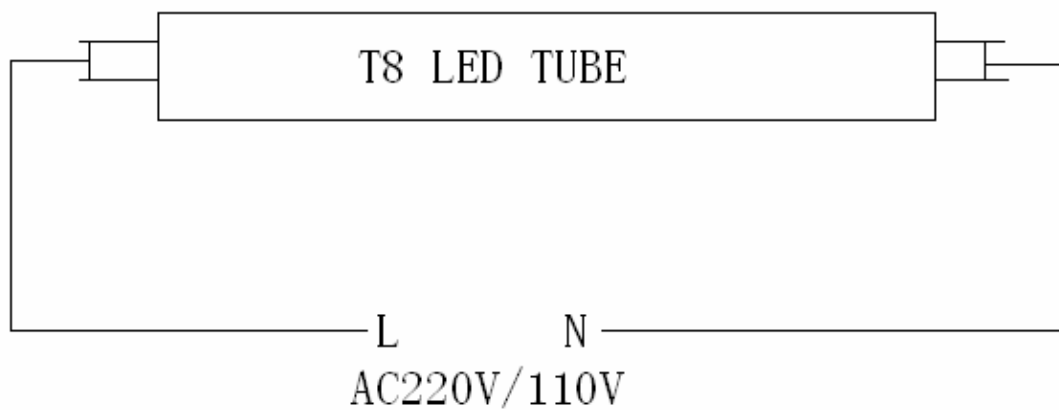
Attn: Nautica Huang

Office Address: 3/F, 7 Street, Beili District, Panyu Area, Guangzhou, Guangdong, China

2.Fitting with Electrical Ballast



Change the connection mode as following:



* Caution:

1. For Indoor Use only.
2. Don't use the tube in alkaline environment.
3. The tube is not Dimmable, Don't connect with the Dimmer.

E-mail: sales@blledlight.com

Skype: [nauticahuang](https://www.skype.com/people/nauticahuang)

MSN: a84817887@hotmail.com

Attn: Nautica Huang

Office Address: 3/F, 7 Street, Beili District, Panyu Area, Guangzhou, Guangdong, China