

## PRODUCT SPECIFICATION

Customer : \_\_\_\_\_

Product Name: \_\_\_\_\_

Part NO : \_\_\_\_\_

Sample order NO: \_\_\_\_\_

CE ROHS



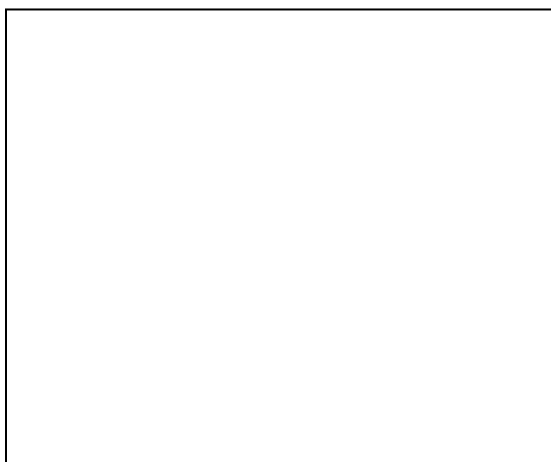
**ATTENTION**  
OBSERVE PRECAUTIONS  
FOR HANDLING  
ELECTROSTATIC  
DISCHARGE  
SENSITIVE  
DEVICES

Supplier		Customer	
Made by	Confirmed by		
Date:		Date:	

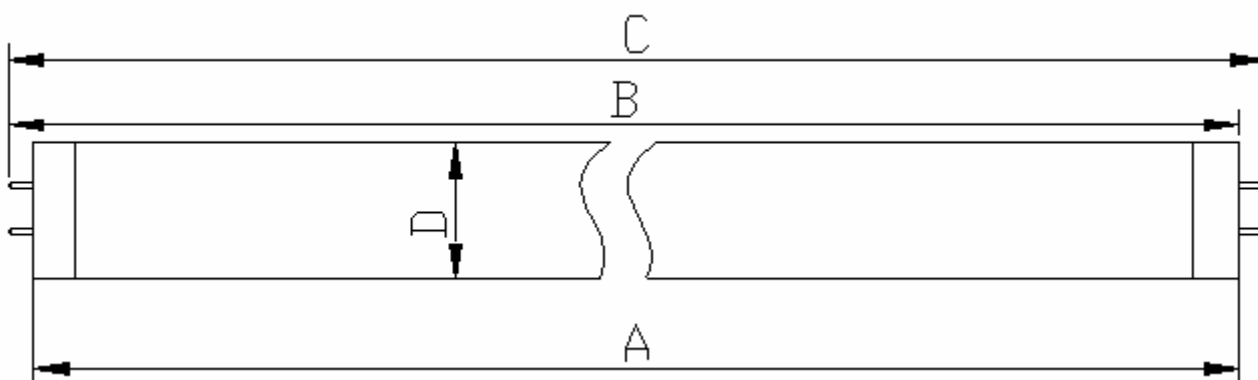
# BERLY ELECTRONICS CO., LTD

## \* Picture

Part NO.: KS-T806P08S2



## \* Dimension:



T8Φ26

Dimension (mm)			
D(MAX)	A(MAX)	B(MAX)	C(MAX)
26.2	589.8	594	604
26.2	890	897	904
26.2	1199	1207	1213
26.2	1500	1510	1514

E-mail: [sales@bllight.com](mailto:sales@bllight.com)

Skype: [nauticahuang](https://www.skype.com/name/nauticahuang)

MSN: [a84817887@hotmail.com](mailto:a84817887@hotmail.com)

Attn: Nautica Huang

Office Address: 3/F, 7 Street, Beili District, Panyu Area, Guangzhou, Guangdong, China

# BERLY ELECTRONICS CO., LTD

## \* Operating Enviroment:

Item	Requirement	Unit
Operating Voltage	AC110/AC220	V
Operating Frequency	50/60	HZ
Operating Temperature	-20~+60	°C
Storage Temperature	-20~+80	°C
Storage Humidity	< 90	%
Antisepsis Degree	F1(Alkaline Cultures Forbid)	

## \*Test Contents

( Ta= 26°C )

Item	symbol	Min	Typ	Max	Unit
Input Voltage	V <sub>in</sub>		220/110	-	V
Input Current	I	40.8		50	mA
Frequency	F	50		60	HZ
Power	P	7	8	9	W
Power Factory	PF	0.85	-	0.95	/
LED Current	I	16	-	20	mA
Color Temperature	TC/λ	3200		6500	K/nm
Luminous Flux	Φ	700		900	LM
Light Effect		90	100	112	LM/W

E-mail: sales@biledlight.com

Skype: nauticahuang

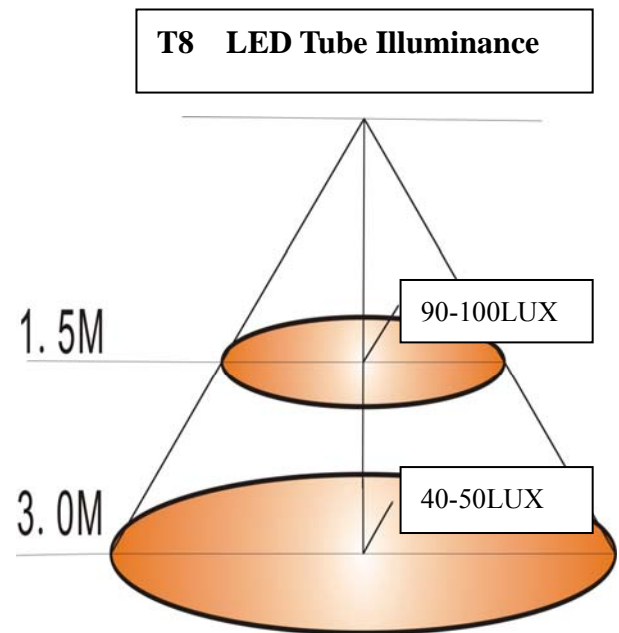
MSN: a84817887@hotmail.com

Attn: Nautica Huang

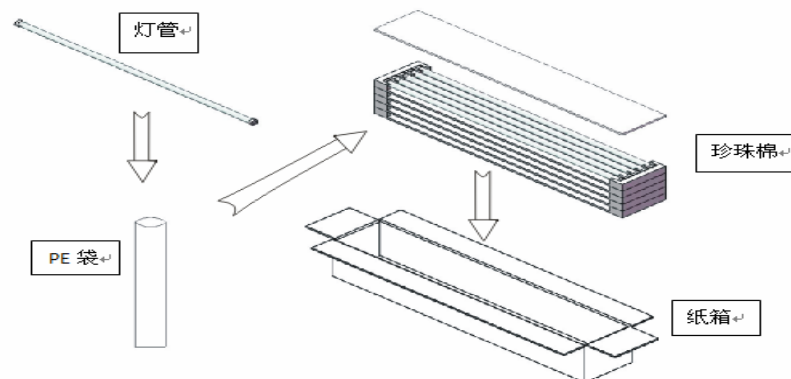
Office Address: 3/F, 7 Street, Beili District, Panyu Area, Guangzhou, Guangdong, China

# BERLY ELECTRONICS CO., LTD

## \* Illuminance Test



## \* Paking:



Item	Amount	Unit
Net weight	140	g
Gross weight	4.5	Kg
Carton box	670*220*220	mm
Out packing(25pcs)	670*220*220	mm

E-mail: [sales@blledlight.com](mailto:sales@blledlight.com)

Skype: [nauticahuang](https://www.skype.com/name/nauticahuang)

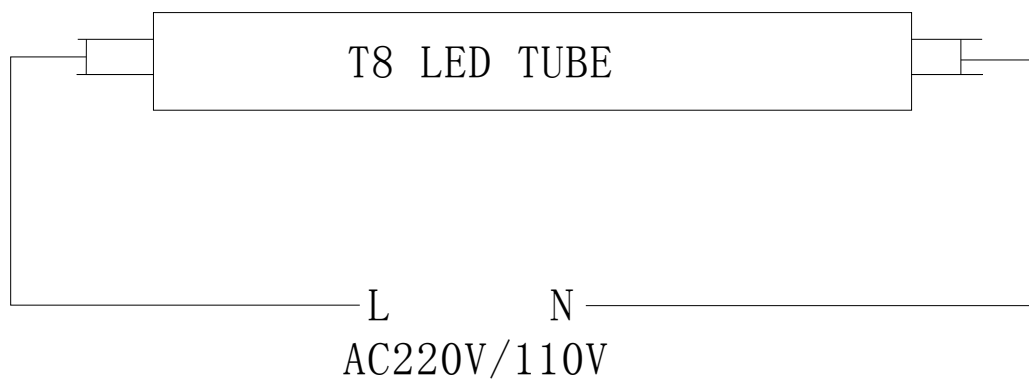
MSN: [a84817887@hotmail.com](mailto:a84817887@hotmail.com)

Attn: Nautica Huang

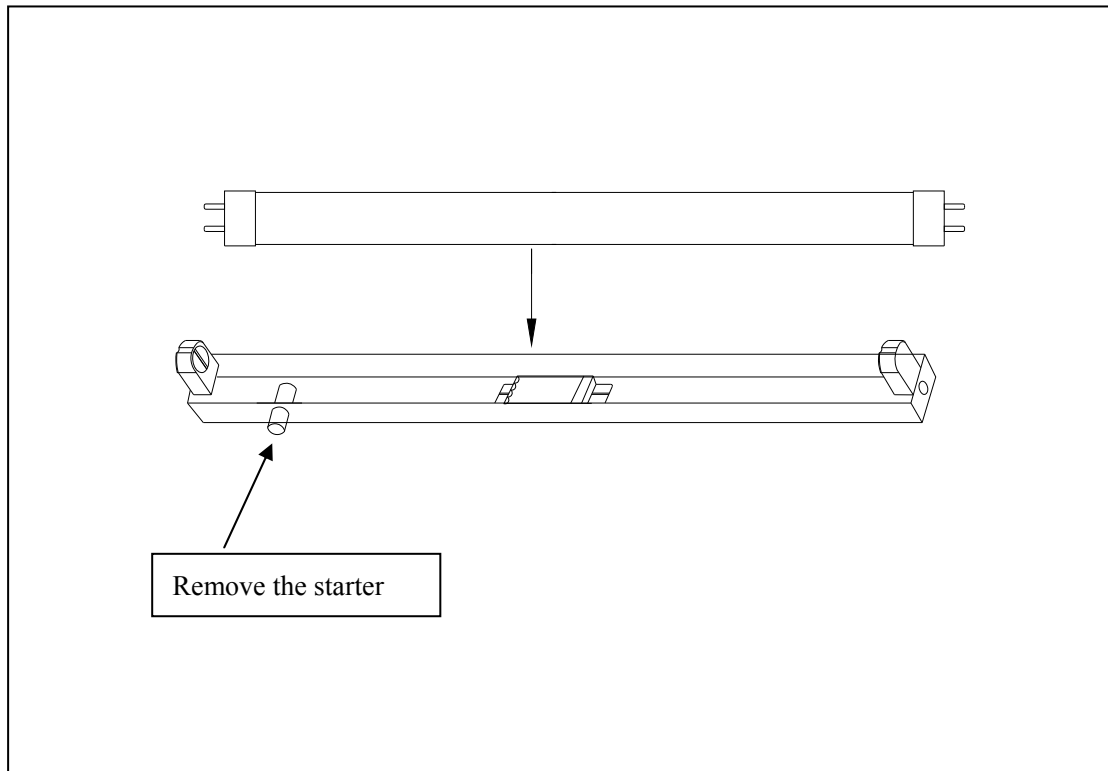
Office Address: 3/F, 7 Street, Beili District, Panyu Area, Guangzhou, Guangdong, China

# BERLY ELECTRONICS CO., LTD

## \* Direction For Use



### 1. Fitting with Starter



Install LED tube directly after removing the starter.

E-mail: [sales@blledlight.com](mailto:sales@blledlight.com)

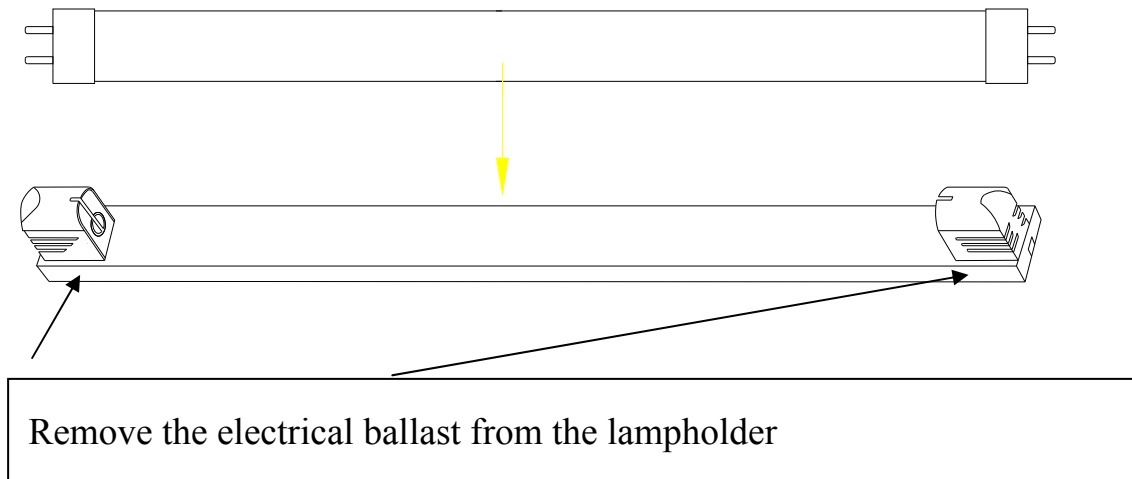
Skype: [nauticahuang](https://www.skype.com/name/nauticahuang)

MSN: [a84817887@hotmail.com](mailto:a84817887@hotmail.com)

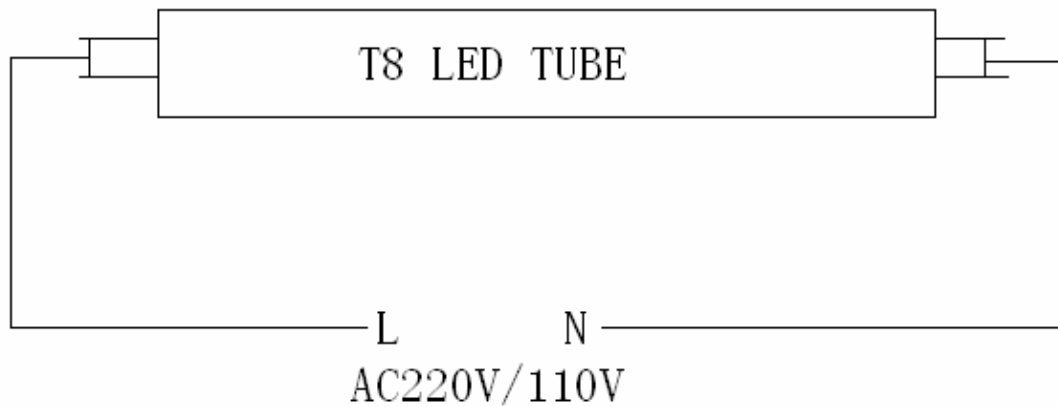
Attn: Nautica Huang

Office Address: 3/F, 7 Street, Beili District, Panyu Area, Guangzhou, Guangdong, China

## 2.Fitting with Electrical Ballast



Change the connection mode as following:



\* Caution:

1. For Indoor Use only.
2. Don't use the tube in alkaline environment.
3. The tube is not Dimmable, Don't connect with the Dimmer.